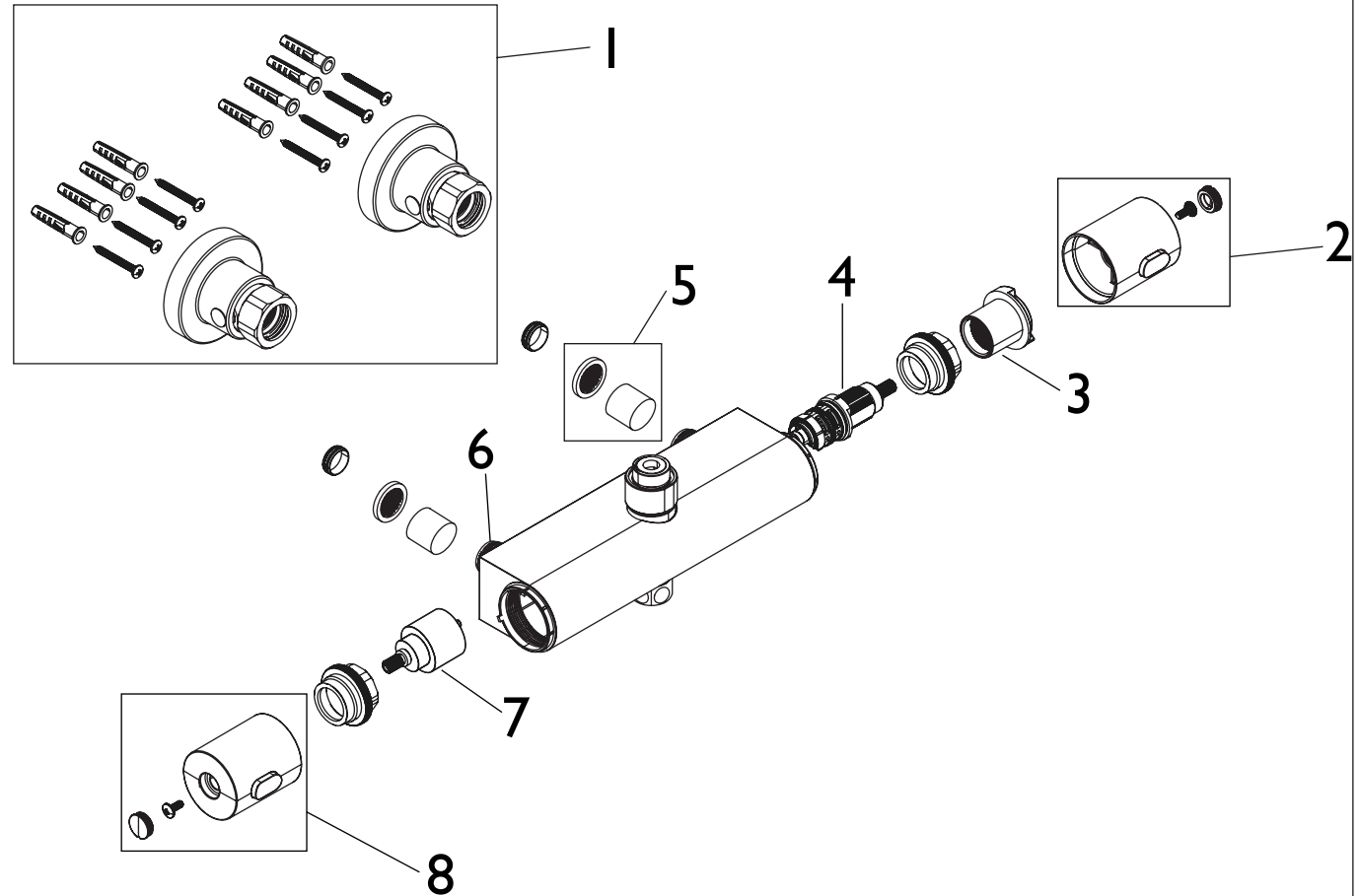


**Product Code:** BUZ2 SHXDIVCTFF C

**Revision:** D1

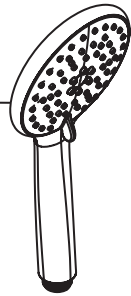


1	Wall Mount 12 Fixing Kit
2	Temperature Handle Assembly
3	Temperature Stop
4	Thermostatic Cartridge
5	Check Valve, Filter, Seals Kit
6	Backnuts (Pair)
7	Diverter Cartridge
8	Flow Handle Assembly
9	Riser Rail Assembly
10	Fixed Head
11	Handset
12	Hose

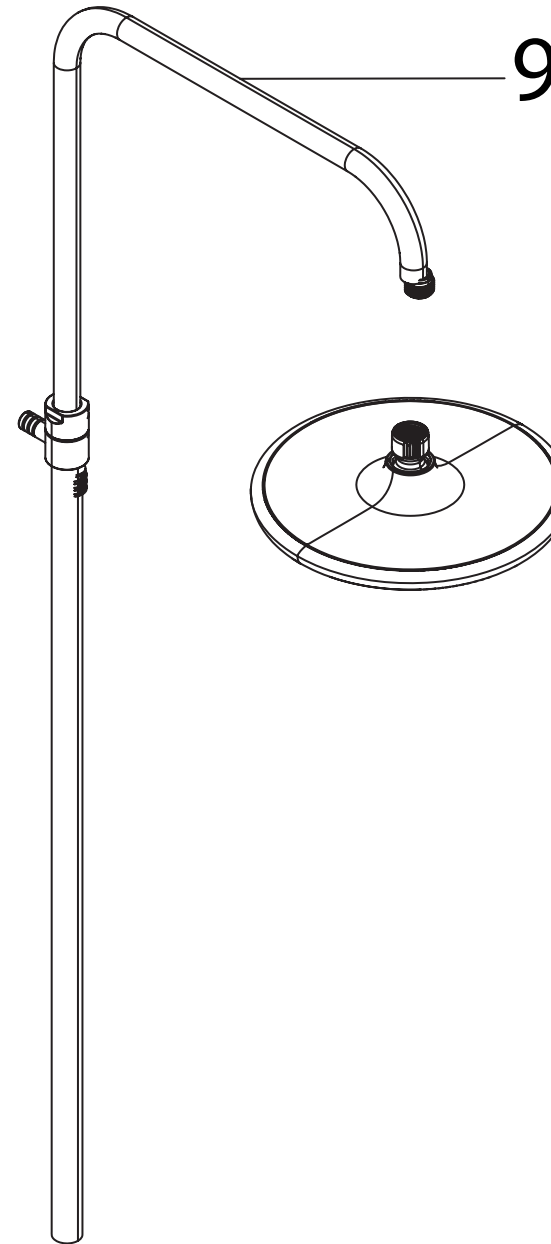
**Product Code:** BUZ2 SHXDIVCTFF C**Revision:** D1

13

11

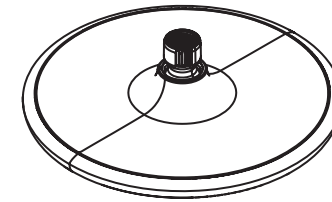


12



9

10



1	Wall Mount 12 Fixing Kit
2	Temperature Handle Assembly
3	Temperature Stop
4	Thermostatic Cartridge
5	Check Valve, Filter, Seals Kit
6	Backnuts (Pair)
7	Diverter Cartridge
8	Flow Handle Assembly
9	Riser Rail Assembly
10	Fixed Head
11	Handset
12	Hose